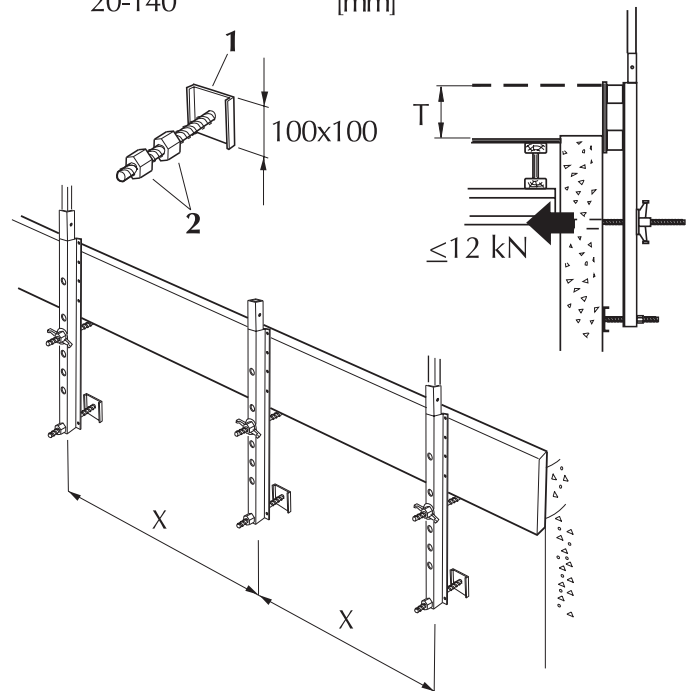
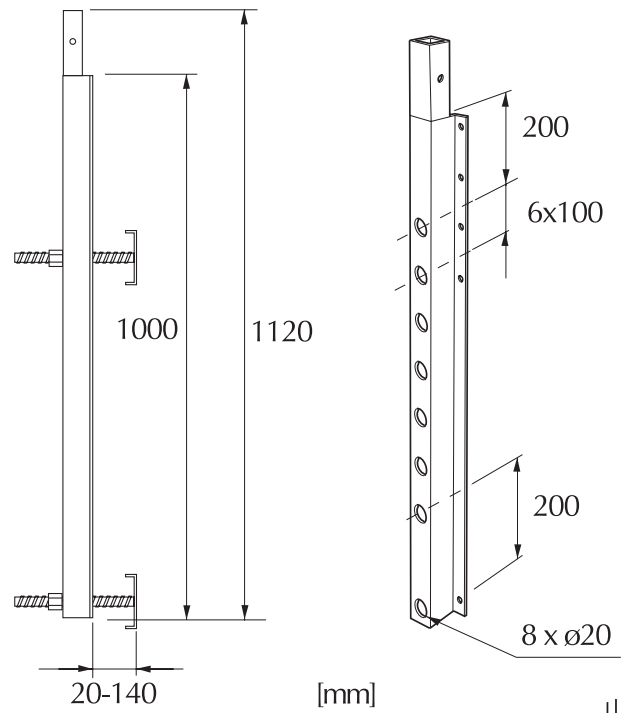


COMBISAFE STD

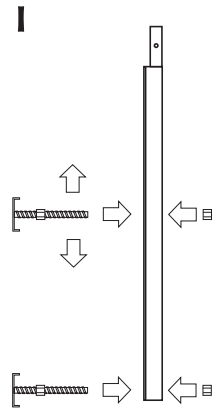
4,0 kg
EN 13374-A

No	Art. No
1	10381
2	100143

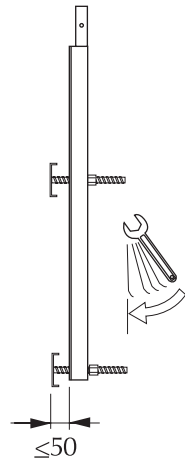


T (mm)	200	300	400
X (mm)	≤2400	≤1200	≤750

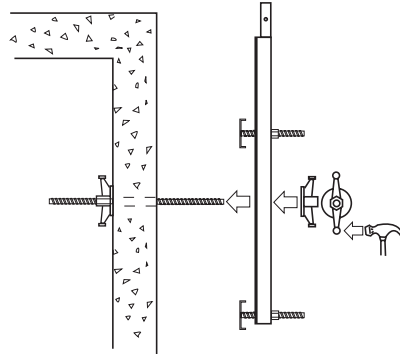
1.



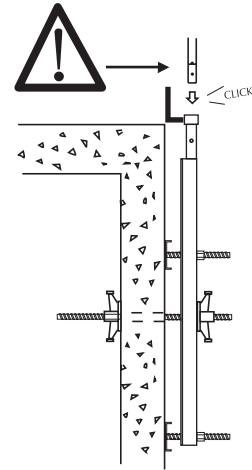
2.



3.

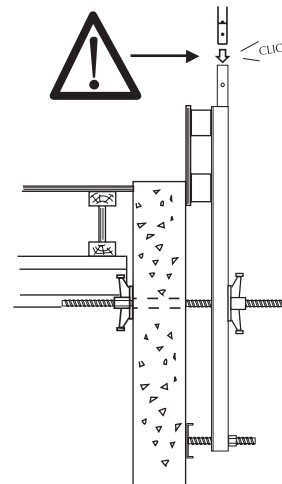
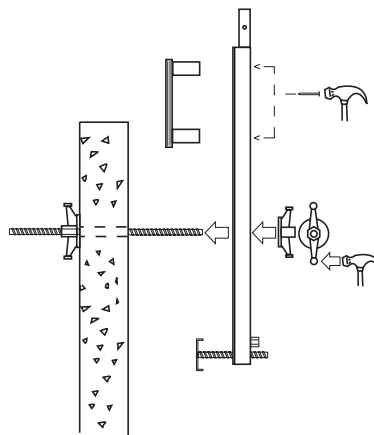
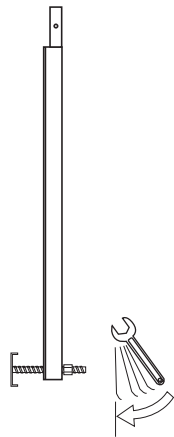
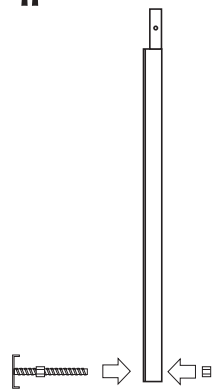


4.



1974_003

II



1974_004